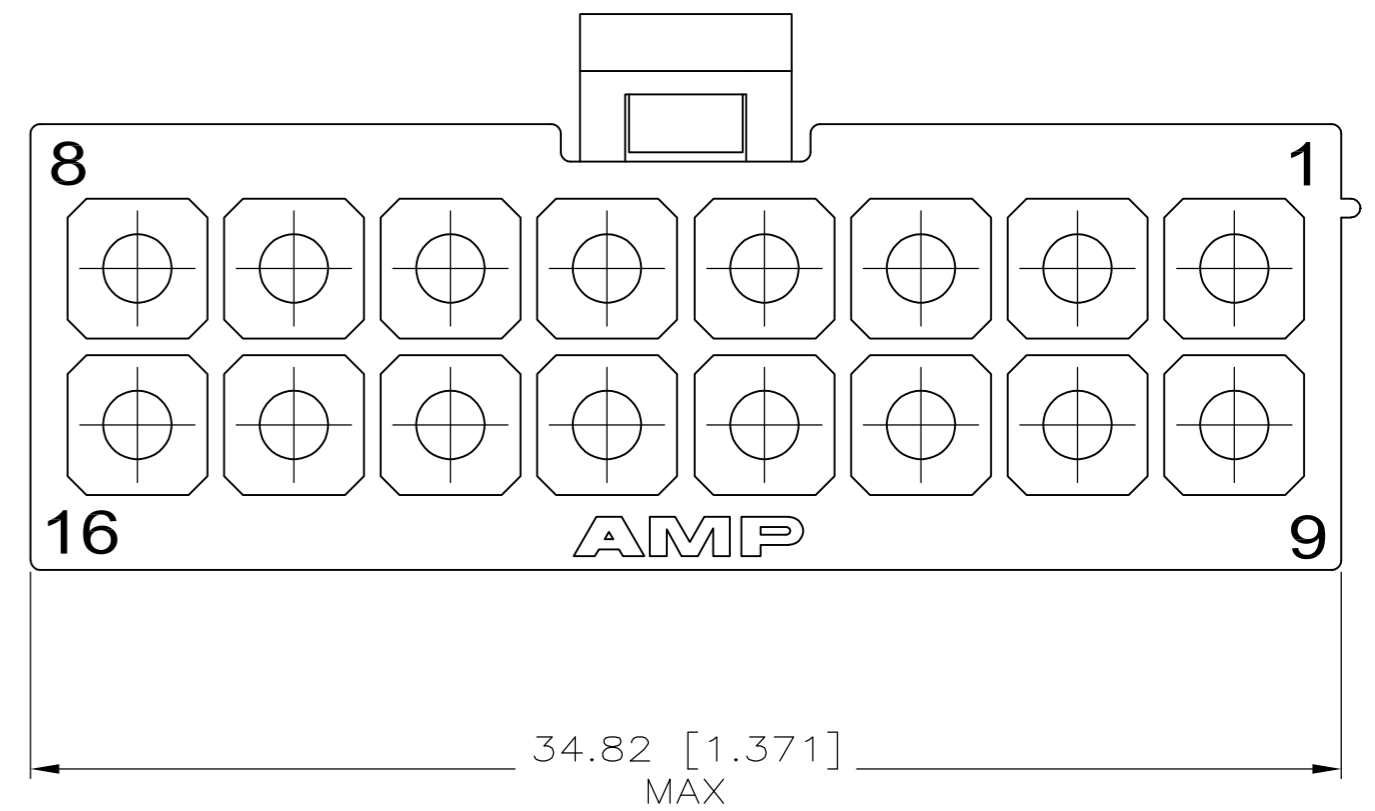
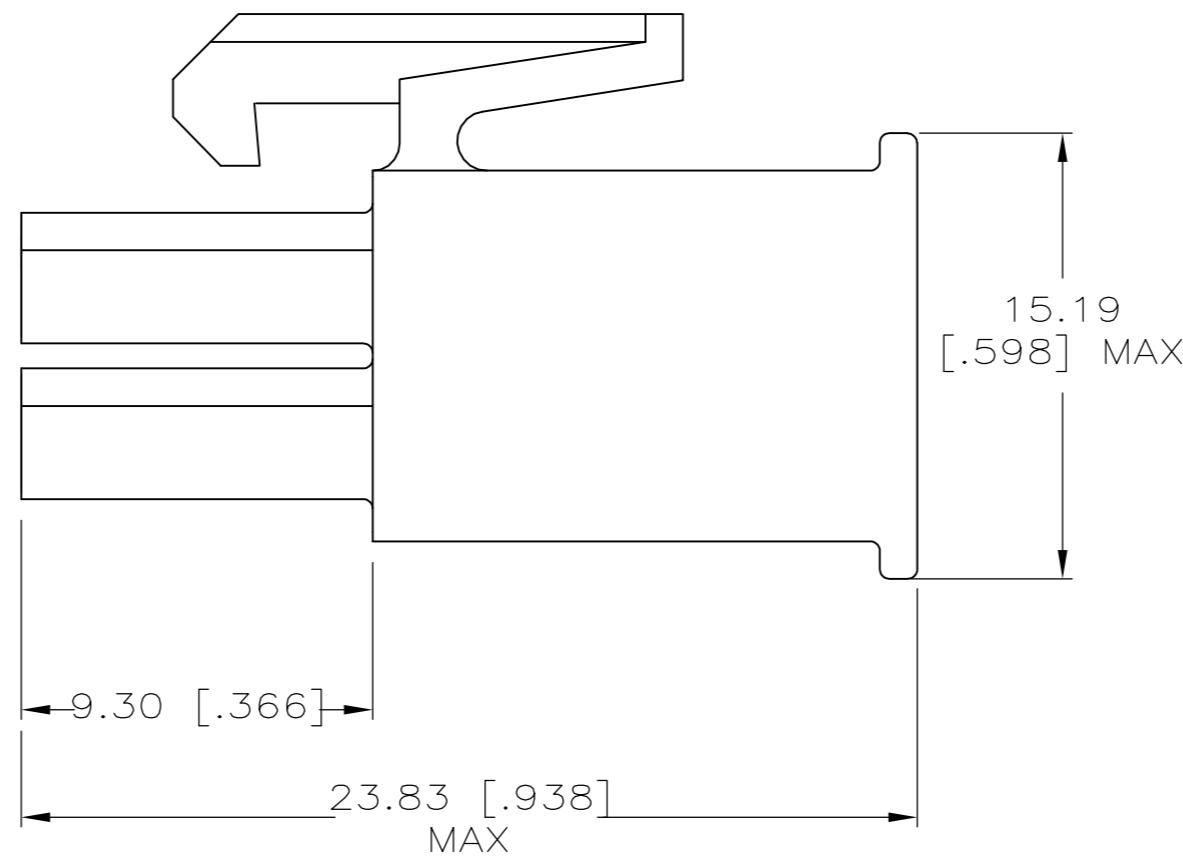
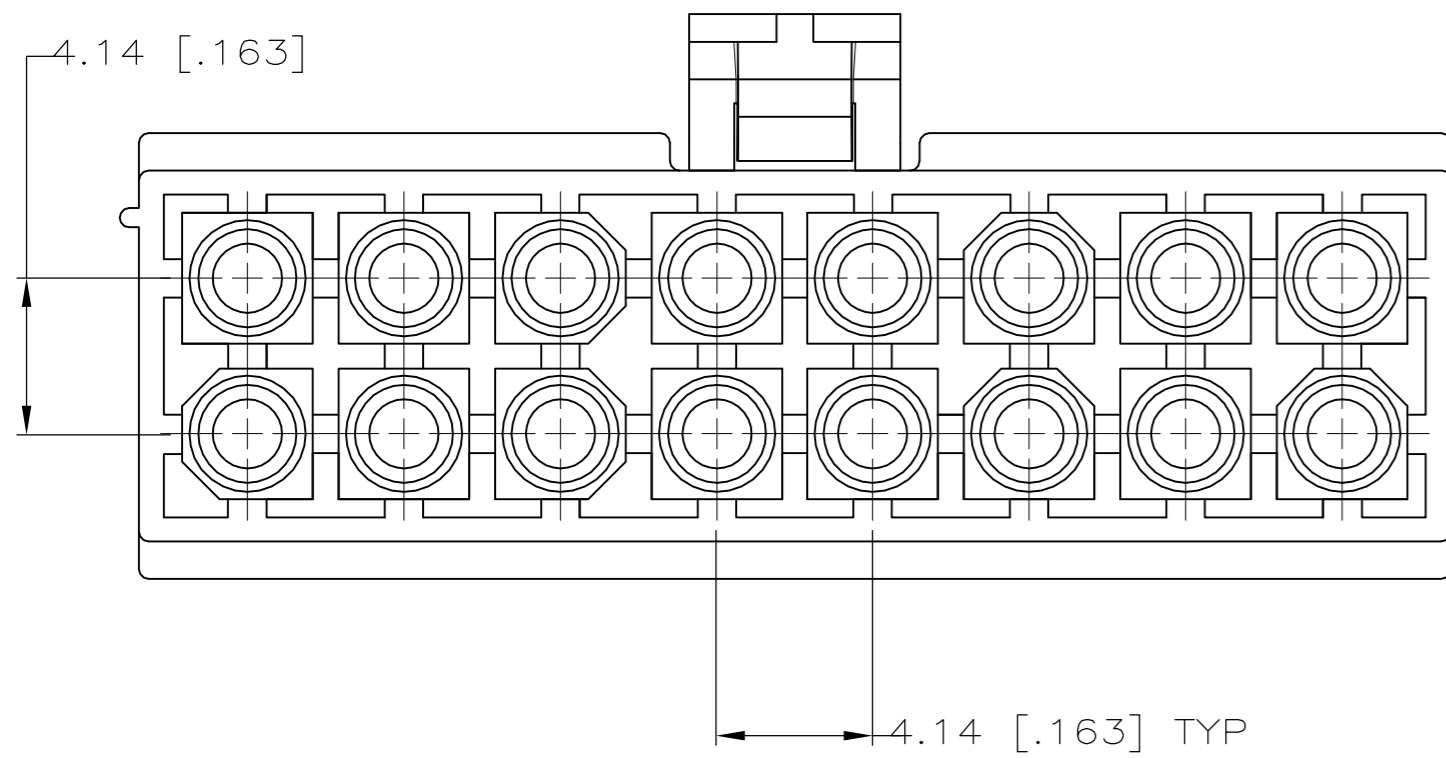


THIS DRAWING IS UNPUBLISHED. RELEASED FOR PUBLICATION
 © COPYRIGHT By - ALL RIGHTS RESERVED.

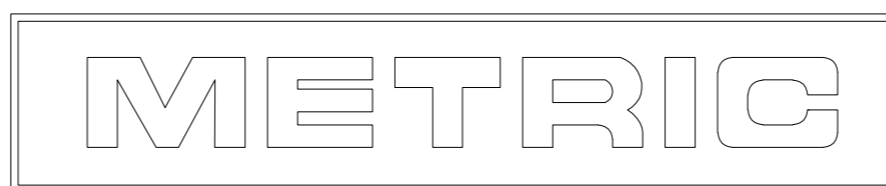
LOC		DIST		REVISIONS			
P	LTR	DESCRIPTION		DATE	DWN	APVD	
CM	00	K		REVISED PER ECR-15-001261	02MAR15	SC	KD

1. INDIVIDUAL CORING FEATURES AROUND BASES OF SILOS MAY NOT BE PRESENT IN ALL LOCATIONS SHOWN.



770583

770583-1
PART NUMBER



THIS DRAWING IS A CONTROLLED DOCUMENT.		DWN	S. HOOVER	12-MAY-2004				
DIMENSIONS:		CHK	C. JONES	12-MAY-2004				
mm [INCHES]		APVD	C. JONES	12-MAY-2004				
TOLERANCES UNLESS OTHERWISE SPECIFIED:		PRODUCT SPEC						
0 PLC	±	APPLICATION SPEC			NAME			
1 PLC	±	WEIGHT			PLUG, 16 CIRCUIT, MINI UNIVERSAL MATE-N-LOK™			
2 PLC	±	CUSTOMER DRAWING			SIZE	CAGE CODE	DRAWING NO	RESTRICTED TO
3 PLC	± 0.13 [.005]	SCALE	5:1		A2	00779	C=770583	
4 PLC	±	SHEET	1 of 1					REV
ANGLES	±	REV	K					
FINISH								